

Midship section

Penava, Davor

Supplement / Prilog

Publication year / Godina izdavanja: **2022**

Permanent link / Trajna poveznica: <https://urn.nsk.hr/urn:nbn:hr:190:464200>

Rights / Prava: [Attribution-NonCommercial-NoDerivatives 4.0 International/Imenovanje-Nekomercijalno-Bez prerada 4.0 međunarodna](#)

Download date / Datum preuzimanja: **2025-01-06**



Repository / Repozitorij:

[Repository of the University of Rijeka, Faculty of Engineering](#)

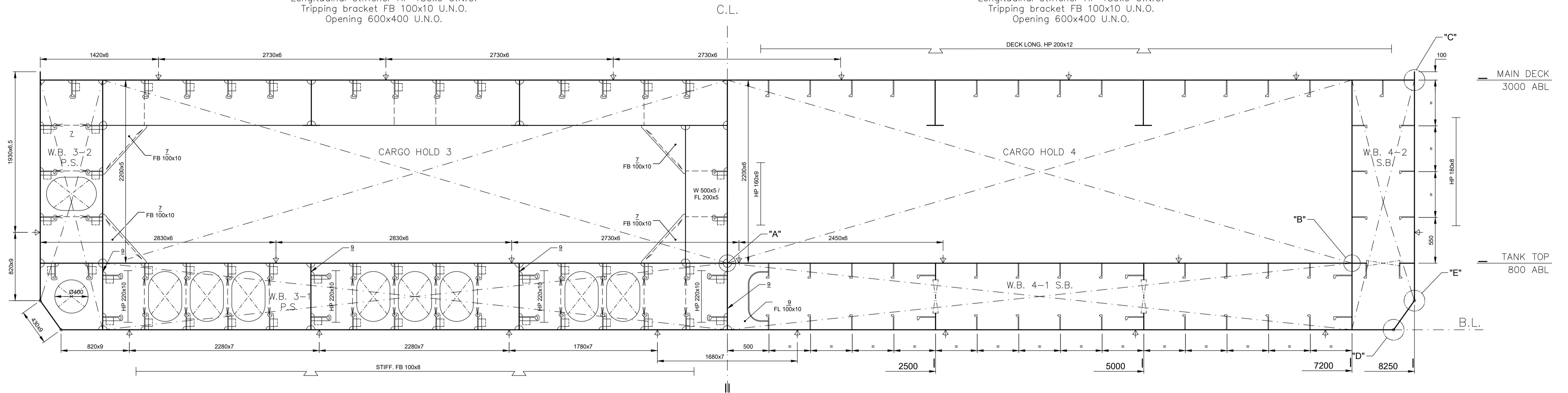


WEB FRAME

Spacing 2320 mm
 Plate 9mm U.N.O.
 Deck girders W 550x5 / FL 200x5 U.N.O.
 Deck beams W 550x5 / FL 200x5 U.N.O.
 Longitudinal stiffener HP 180x9 U.N.O.
 Tripping bracket FB 100x10 U.N.O.
 Opening 600x400 U.N.O.

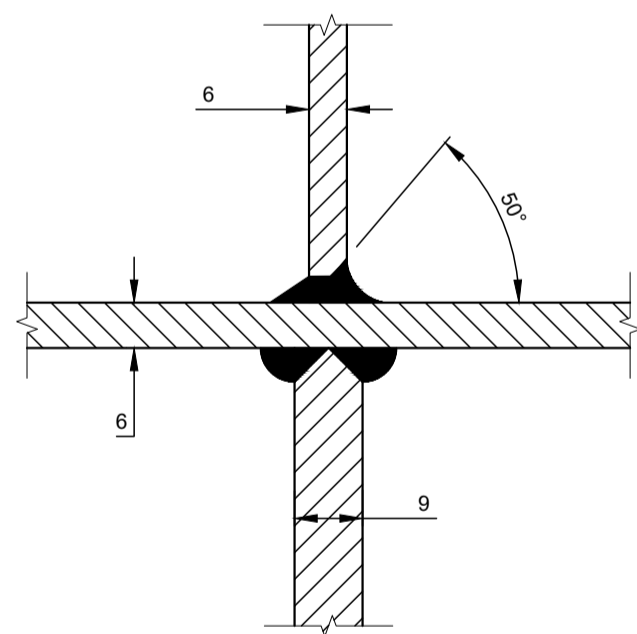
ORDINARY FRAME

Spacing 580 mm
 Plate 9mm U.N.O.
 Deck girders W 550x5 / FL 200x5 U.N.O.
 Deck beams W 550x5 / FL 200x5 U.N.O.
 Longitudinal stiffener HP 180x9 U.N.O.
 Tripping bracket FB 100x10 U.N.O.
 Opening 600x400 U.N.O.



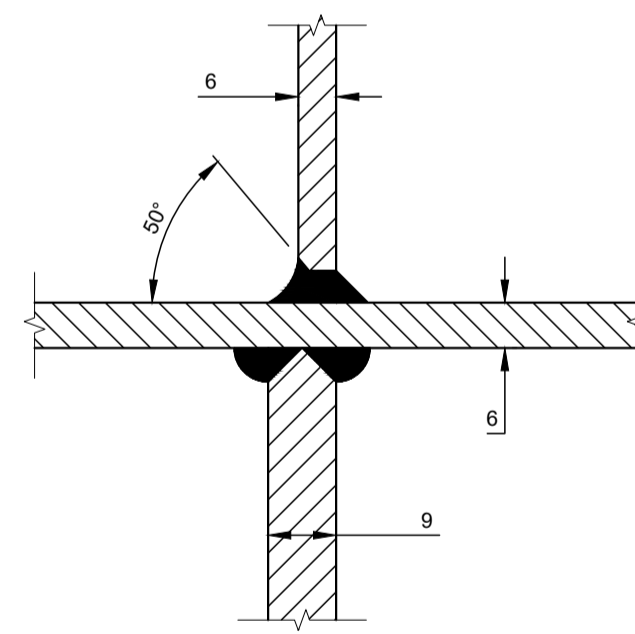
DETAIL "A"

SCALE 1:5
 Full penetration weld



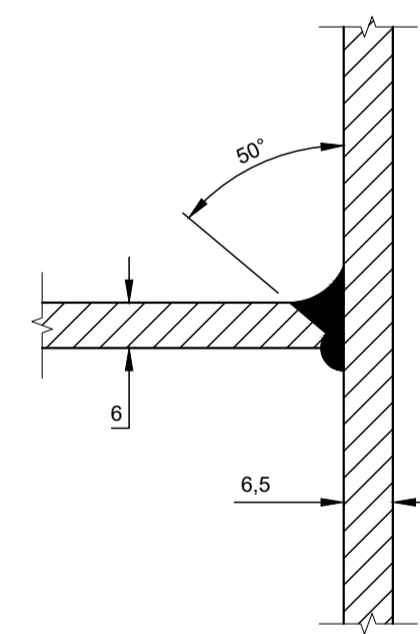
DETAIL "B"

SCALE 1:1
 Full penetration weld



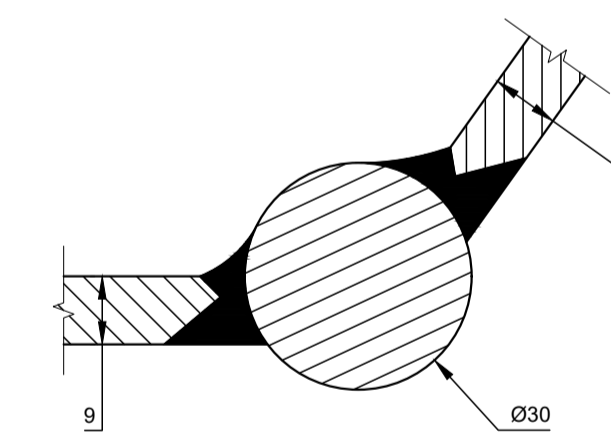
DETAIL "C"

SCALE 1:1
 Full penetration weld



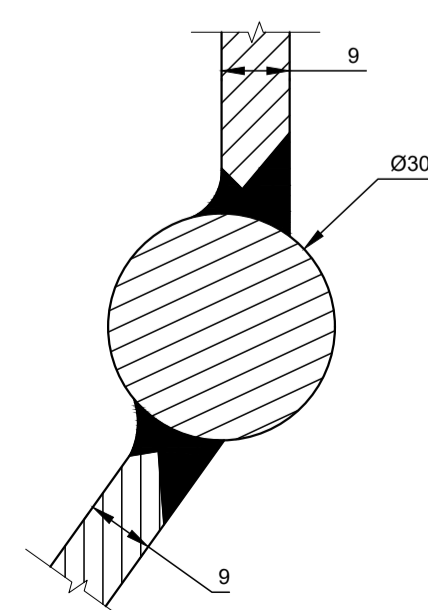
DETAIL "D"

SCALE 1:1
 Full penetration weld



DETAIL "E"

SCALE 1:1
 Full penetration weld



DAMEN BUNKER BARGE 6316

LLOYD'S CLASS

Transport of liquid cargoes Harbours, Inland waters
 +AT IWW, Oil Barge, Carriage of Oils with a FP exceeding 60°C

MAIN CHARACTERISTICS:


LENGHT O.A.	63.10 m
BEAM MLD	16.50 m
DEPTH MLD	3.00 m
DRAUGHT BALLAST	1.25 m
AIR DRAFT	2.75 m
DRAUGHT DESIGN	1.80 m
DEADWEIGHT	1450.00 ton

CAPACITIES

CARGO TANKS VOLUME	1450 m ³
BALLAST TANKS VOLUME	840 m ³

DESIGN CONDITIONS

SEA WATER TEMPERATURE	0°C to + 35°C
OUTSIDE AIR TEMPERATURE	5°C to + 45°C

ISSUED	DESCRIPTION OF MODIFICATION	DATE	MODIFIED	APPROVED
TITLE: MIDSHIP SECTION				
APPROVALS				 Sveučilište u Rijeci TEHNIČKI FAKULTET
DRAWN	Davor Penava	15/9/2022	SIGNATURE	
CHECKED	Davor Penava	15/9/2022	DWG. NO. T-MS-001	
ISSUED	Davor Penava	15/9/2022	SCALE: 1:25	
SIZE A1				ISSUE: 0
SHEET: 1/2				