

Radionički crtež kućišta motorvretena

Zrilić, Nikša

Supplement / Prilog

Publication year / Godina izdavanja: **2024**

Permanent link / Trajna poveznica: <https://urn.nsk.hr/urn:nbn:hr:190:305608>

Rights / Prava: [Attribution 4.0 International](#)/[Imenovanje 4.0 međunarodna](#)

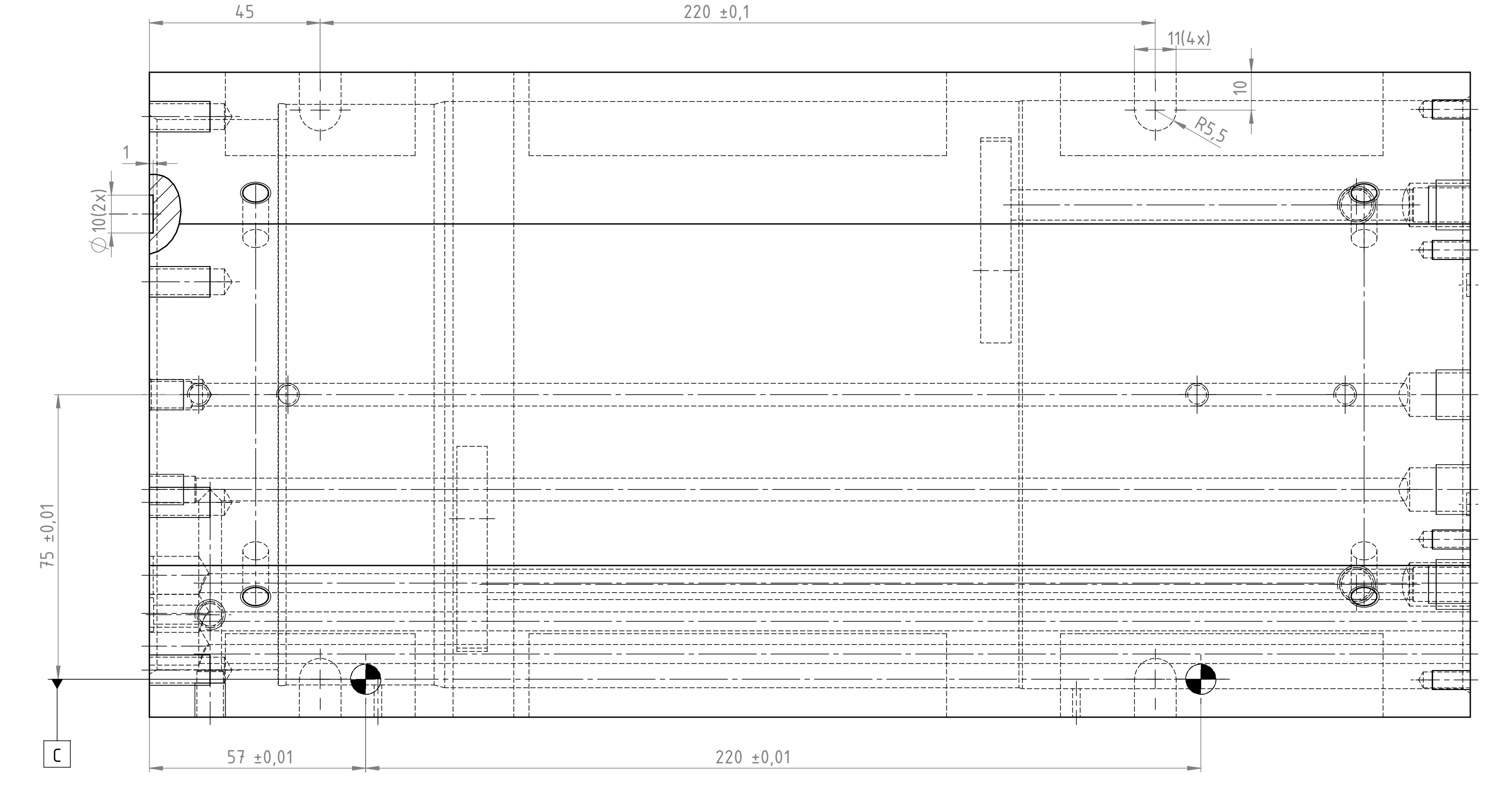
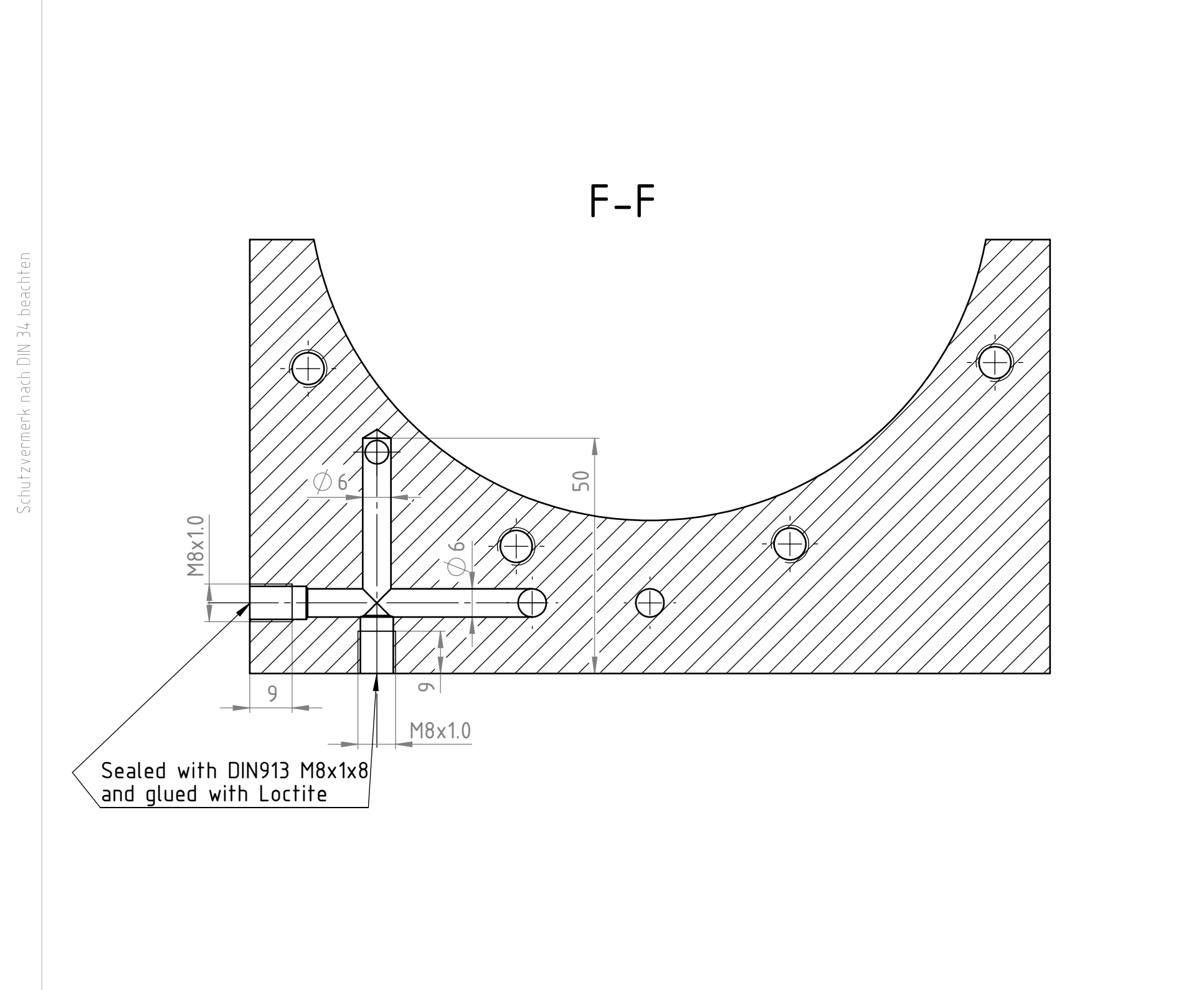
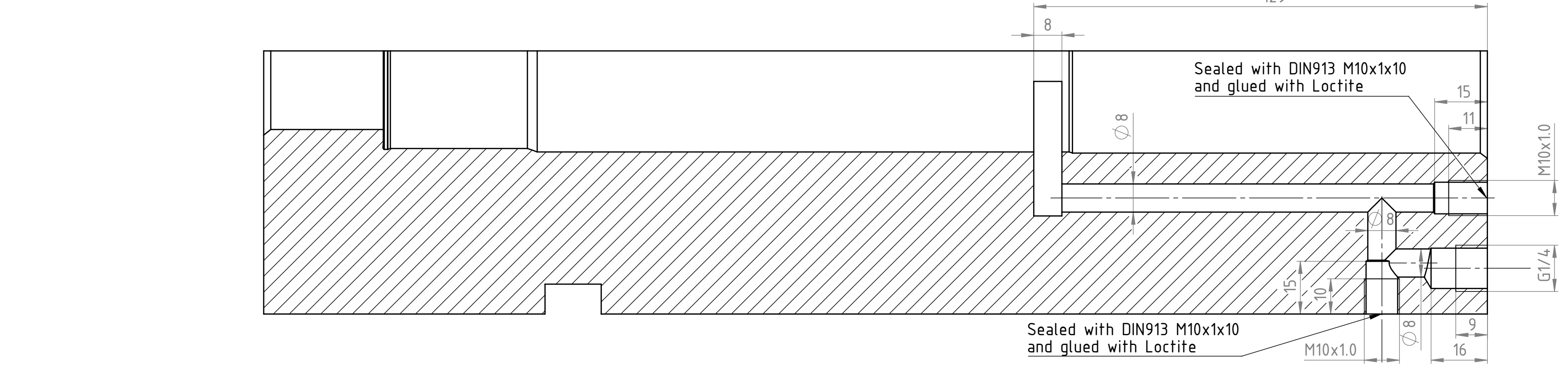
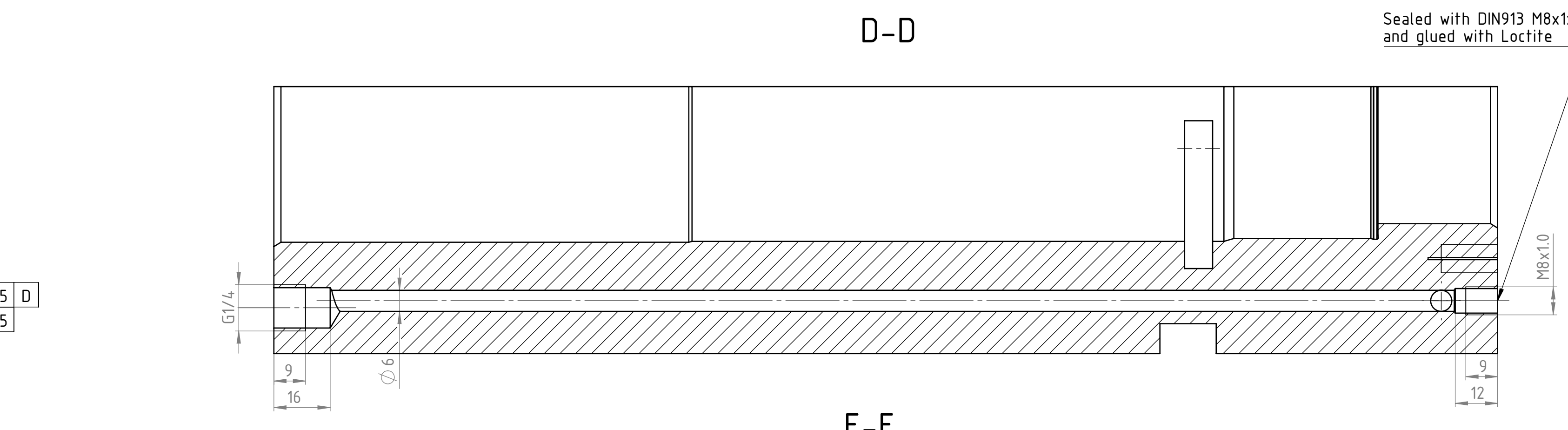
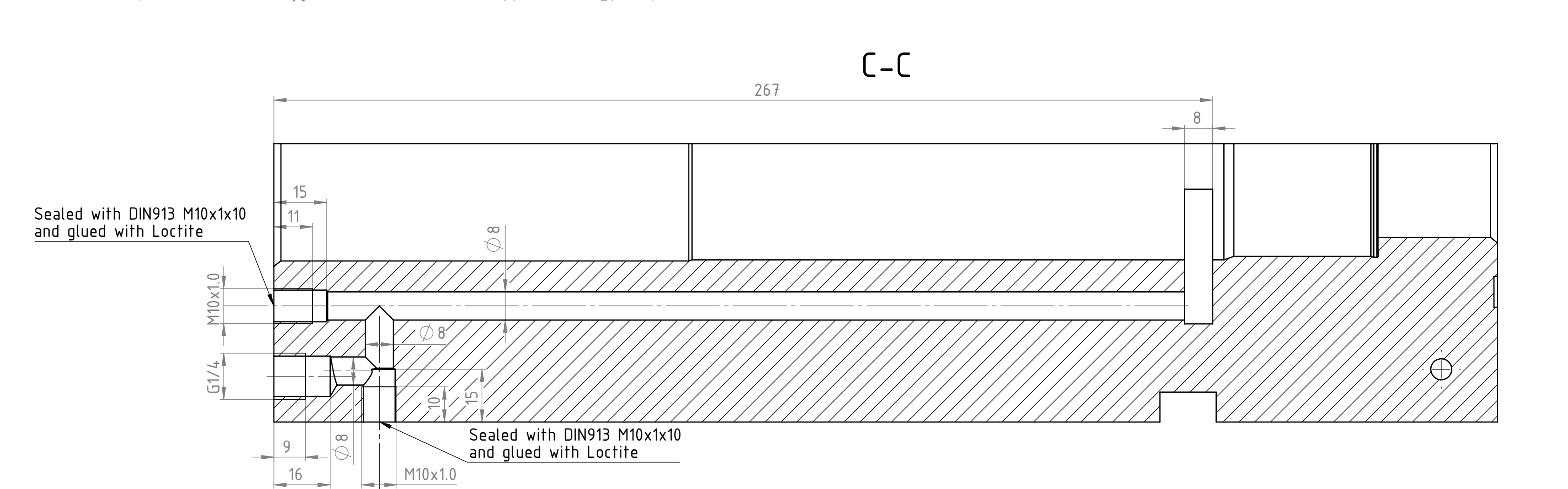
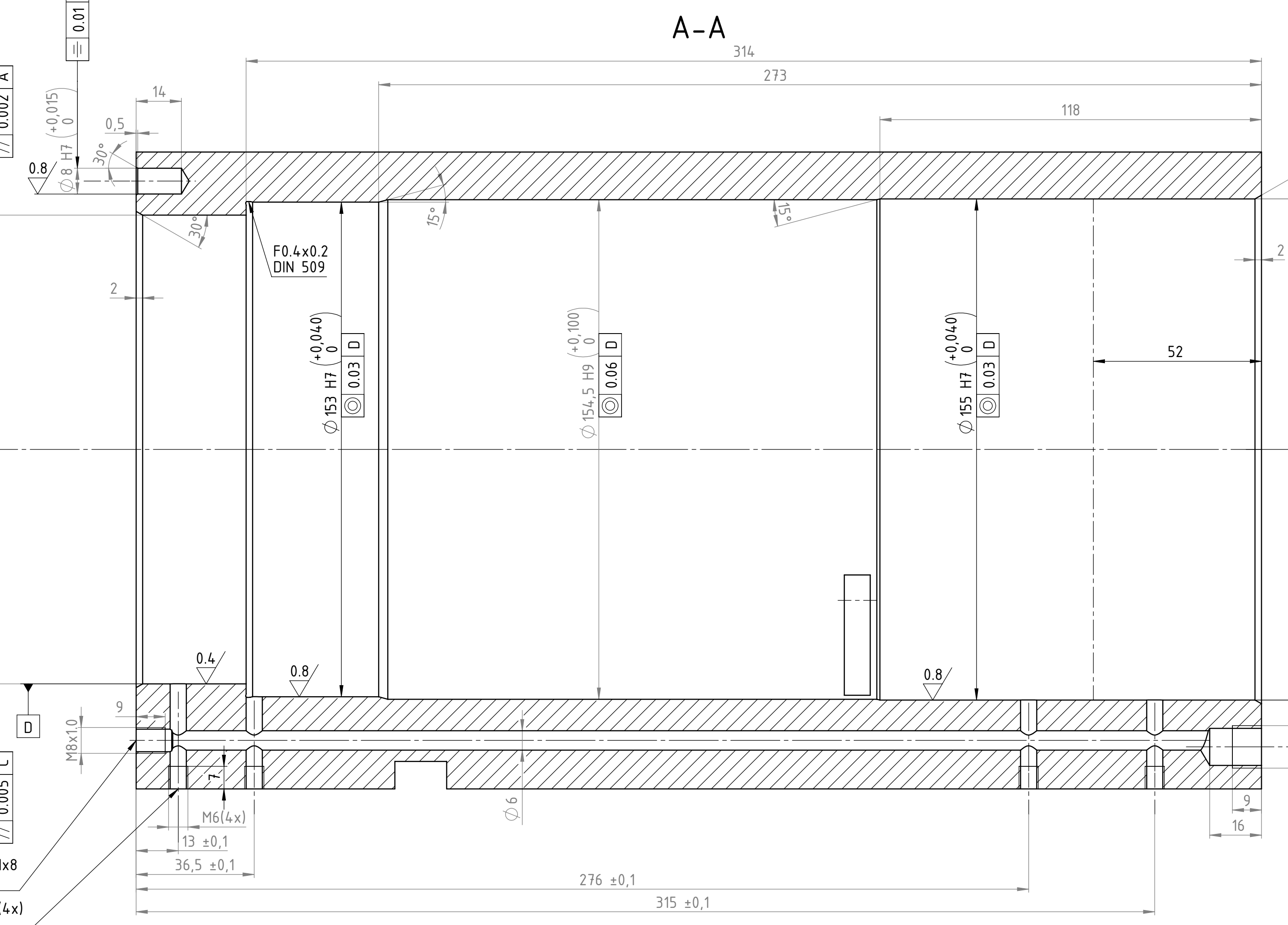
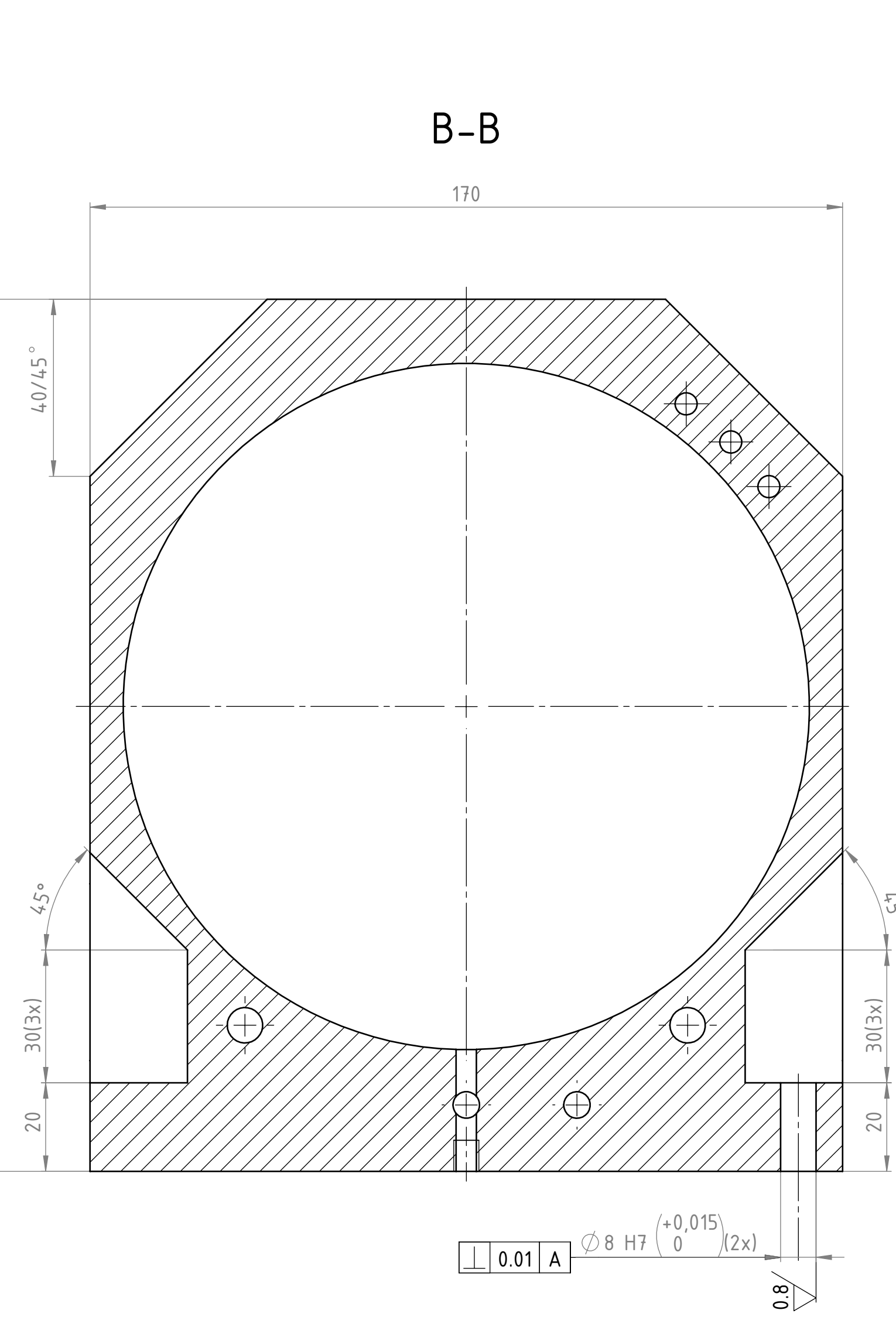
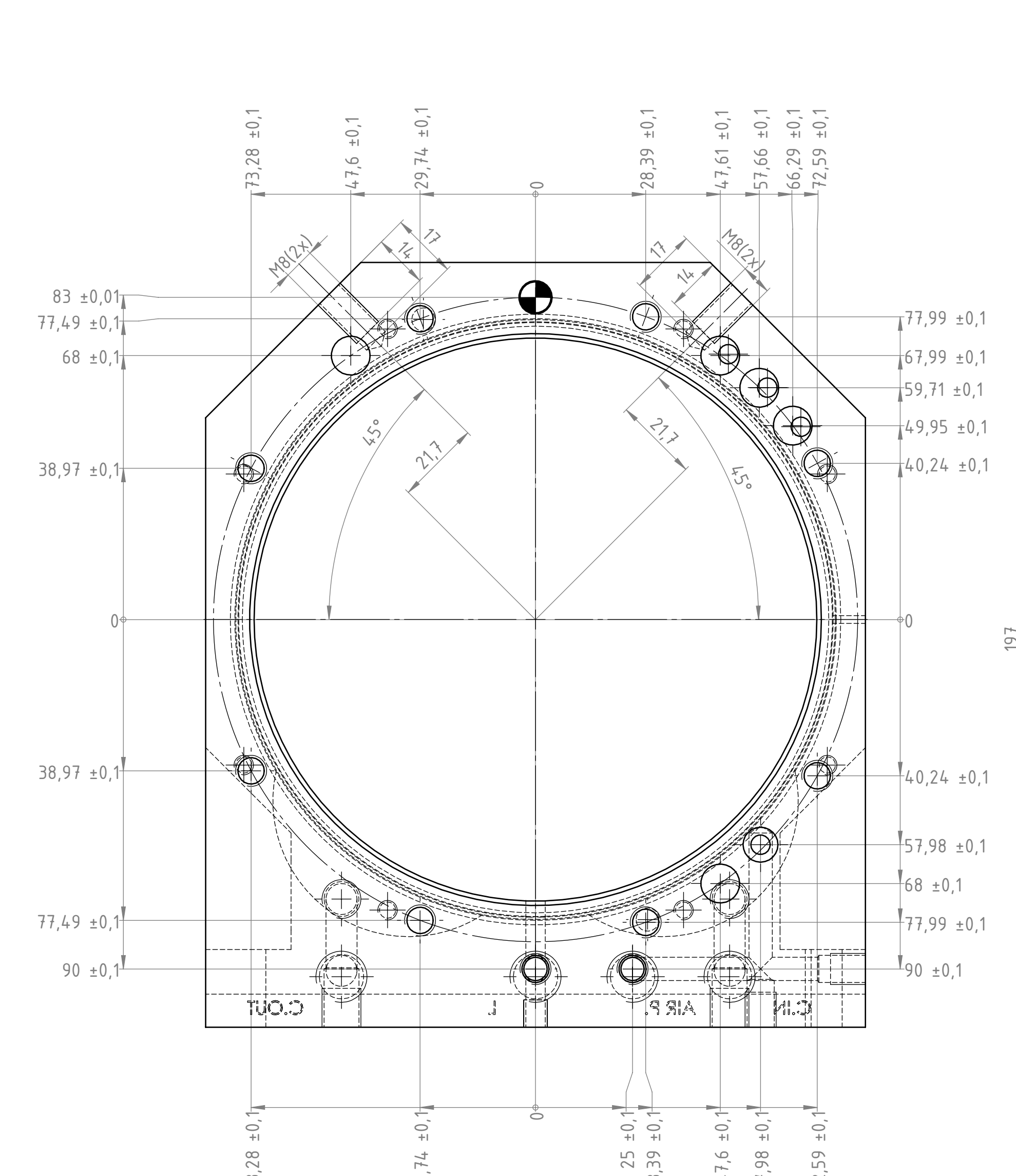
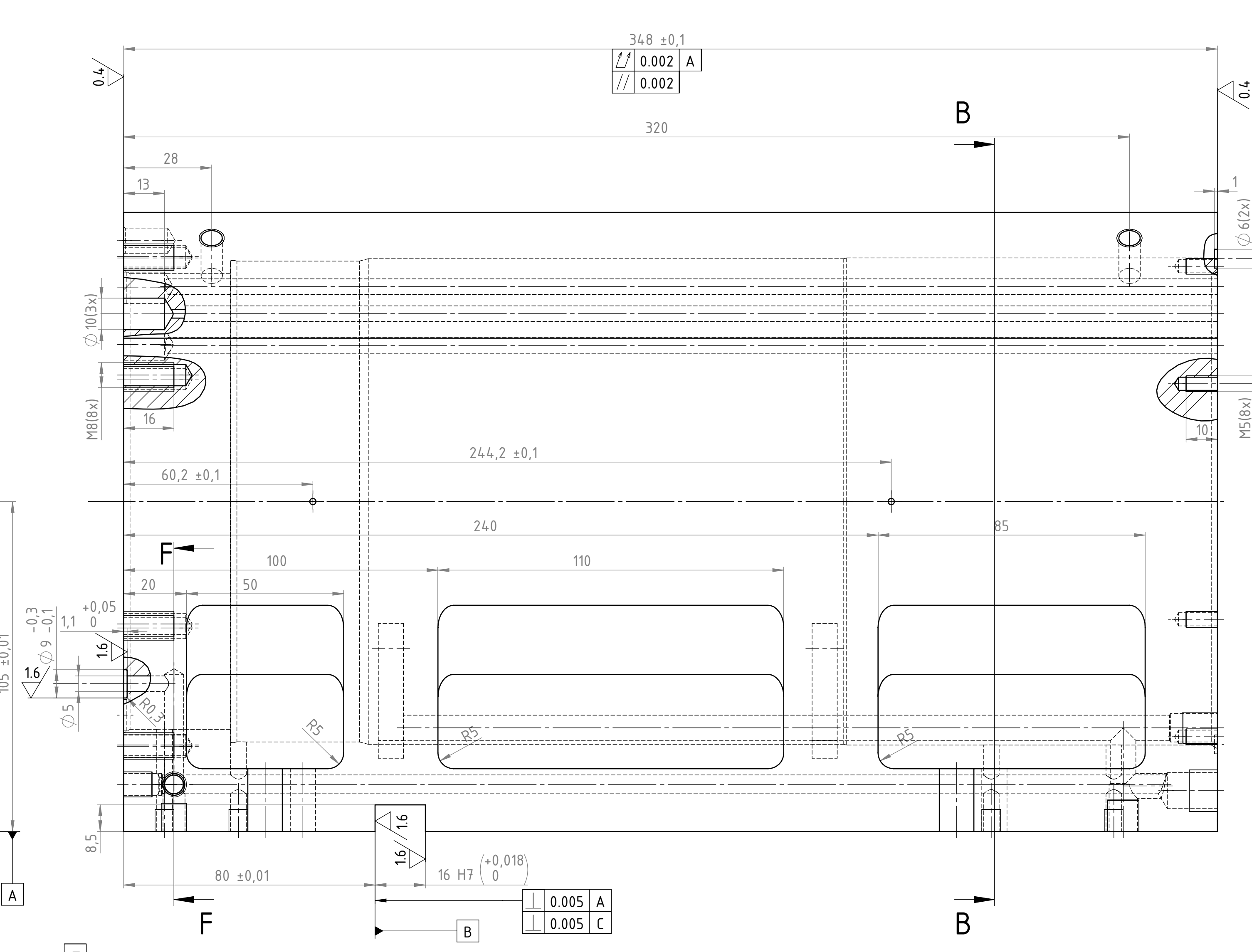
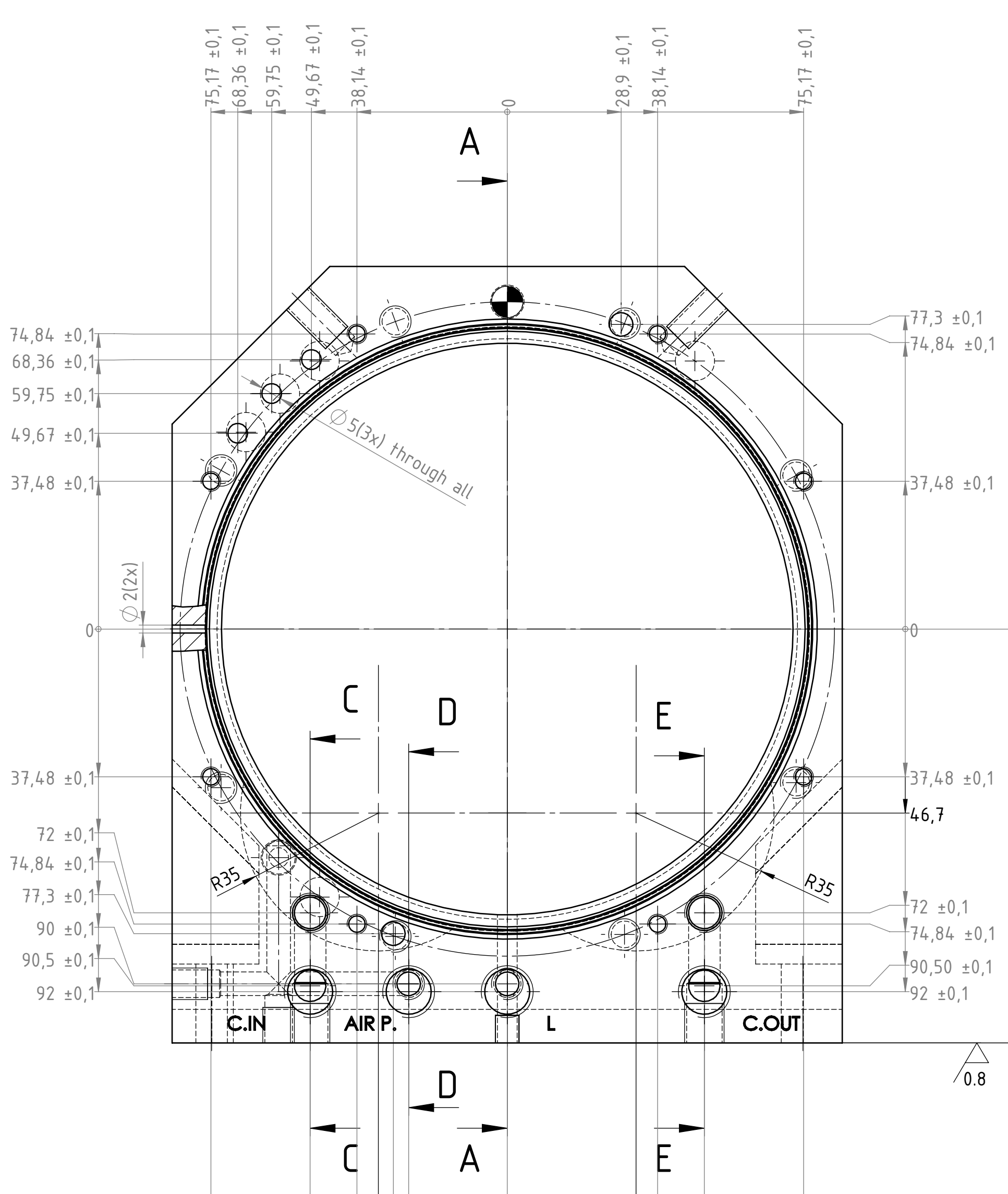
Download date / Datum preuzimanja: **2024-09-29**



Repository / Repozitorij:

[Repository of the University of Rijeka, Faculty of Engineering](#)





Nickel plated : thickness 0.01 mm
 All edges chamfered 0,2x45°
 19.10.2017.

Index	Symbol	Abkürzung	Material	Größe	Charakter	Material	Größe	Charakter
1	1	1	GG 25	19.7.2017	1	B. Breck	1	1
HSTEC AG			Housing			M 1:1		
CAD			20009717			821310		